

AGA welding helmet. A901 DIN 9-13.



Focus on safety AGAs welding helmet has a focus on your safety. The welding helmet provides permanent protection against ultraviolet and infrared radiation, heat and sparks. Adjustable lens sensitivity makes this helmet suitable for different welding environments. Auto - darkening of shade level DIN 9-13. The welding helmet can be adjusted while wearing welding gloves and without having to take of the helmet.

Product number 331322

- Description**
- Wide clear screen for excellent visibility.
 - High quality head band with a one-hand grip.
 - The outer protective glass can be changed without removing the cassette.
 - Low weight, only 546 grams.

EC Compliance mark



- DIN EN 166: 2002-04
- DIN EN 175: 1997-08
- DIN EN 379: 2009-07

Suitable welding type applications

- TIG (GTAW)
- MMA (SMAW)
- PWA
- MIG/MAG (GMAW)



TIG (GTAW)



MMA (SMAW)

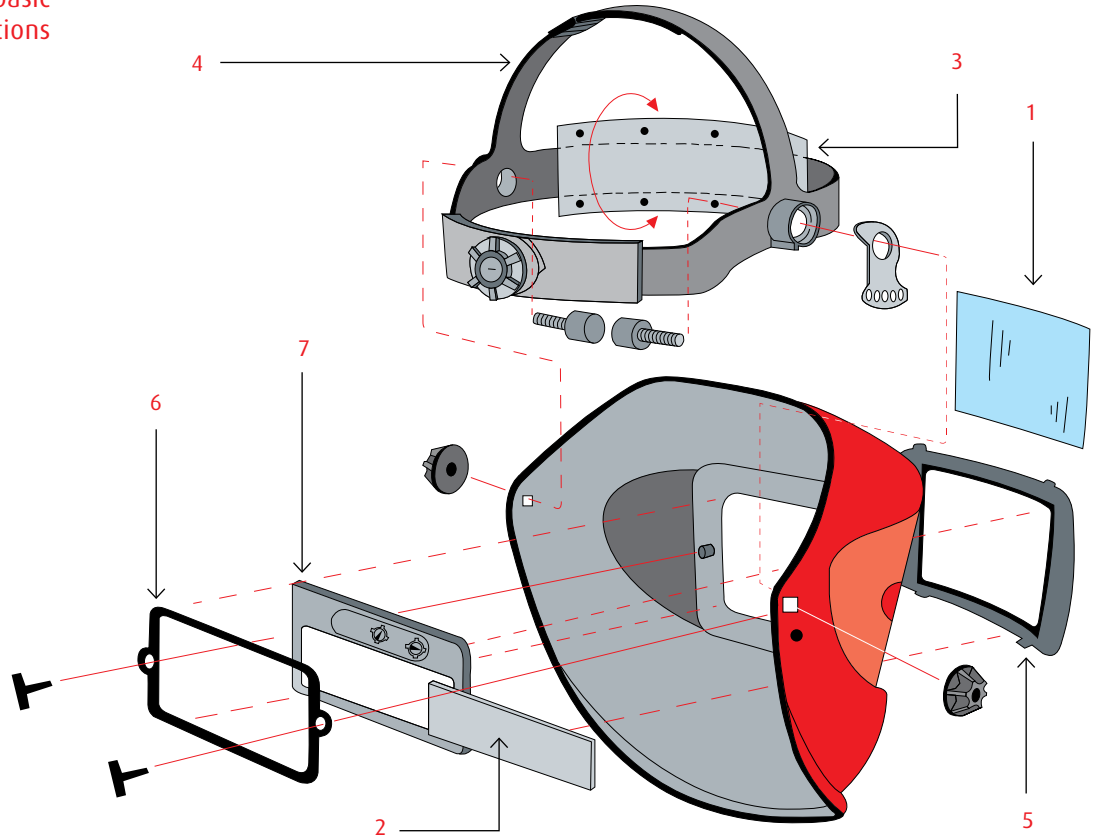


PWA



MIG/MAG (GMAW)

Component and basic specifications



List of spare sparts available

		Artnr.
1	Outer protective lens 97 x 110 mm , 10 pc.	331326
2	Inner protective lens 104 x 47 mm , 10 pc.	331328
3	Welding sweat band	331330
4	Welding head gear pro	331324
5	Element front frame silver	
6	Lens retainer TN variable ADF	
7	LINDE OLE 350 4/9-13 EXT TN ADF	332370

Instructions for use Enclosed with each case in all applicable languages where the product is intended to the sold.

Important note This data was generated from samples which were taken to be typical of standard product. The data is given for information only and considered valid at the time of publication. Additional information can be supplied on request. Always review the instructions provided with each PPE device before assembly and use.